



ColorTrace™

TIR SYSTEMS

COLORTRACE

ColorTrace is a linear lighting element and is ideal for linear accent lighting applications or as an alternative to neon.

ColorTrace provides a uniform and continuous line of bright, saturated color for indoor and outdoor applications such as accenting and highlighting architectural structures and elements, or cove lighting and wayfinding. Six colors, including white, are available, in either clear or matching solid-color polycarbonate housings, in a variety of lengths to fit almost any space. Color-coordinated bellows provide a continuous connection between individual ColorTrace segments, forming an infinite linear light feature.

ColorTrace provides the long useful life of up to ten years or more, reduced power consumption and low maintenance of Solid State Lighting (SSL) technology. A highly reliable Solid State Lighting system that can endure the harshest of environments, the robust housing is fully waterproof, with an operating temperature range of -22°F/-30°C to 140°F/60°C.

VERSATILITY THE KEY TO COLORTRACE'S VERSATILITY IS ITS SIMPLICITY. COLORTRACE IS A BRIGHT AND ROBUSTLY ENGINEERED SATURATED LINE OF LIGHT AND COLOR THAT CONTRIBUTES TO THE THEME AND APPEAL OF A SPACE OR CREATES PRESENCE AND VISUAL INTEREST.

TIR SYSTEMS TIR SYSTEMS LTD. IS A WORLD LEADER IN THE RESEARCH, DESIGN, MANUFACTURE AND MARKETING OF SPECIALTY LIGHTING SYSTEMS FOR ARCHITECTURAL AND COMMERCIAL APPLICATIONS, AND CORPORATE IDENTITY LIGHTING SOLUTIONS.

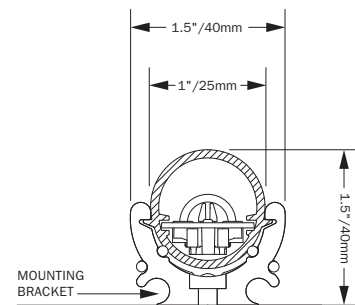
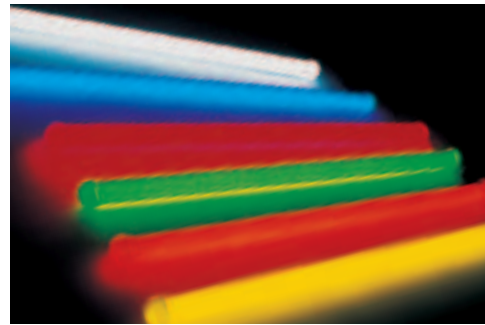
WE HAVE DEVELOPED AN EXTENSIVE RESEARCH BASE INTO THE CORE TECHNOLOGIES THAT WILL ALLOW SSL TO MOVE TO THE FOREFRONT OF MAINSTREAM LIGHTING, INCLUDING LEXEL™ TECHNOLOGY. THESE TECHNOLOGIES HAVE THE POTENTIAL TO REDUCE ENERGY CONSUMPTION ON A GLOBAL SCALE, WHILE GIVING PEOPLE MORE LIGHTING FUNCTIONALITY THAN EVER BEFORE AND ARE BEING INTEGRATED IN FUTURE TIR PRODUCTS.





ColorTrace

Colored Extrusion



Saturated lines of colored light

	RED	ORANGE	YELLOW	GREEN	BLUE	WHITE
LED WAVE LENGTH	627nm	605nm	590nm	525nm	470 ± 5nm	6700K
NUMBER OF LEDS PER 12"/300mm	24	24	24	18	24	24
USEFUL LED LIFE AT 12 HRS/DAY	10 YEARS	10 YEARS	10 YEARS	10 YEARS	5 YEARS	5 YEARS
MAXIMUM POWER CONSUMPTION PER 12"/300mm	1.6W	1.6W	1.6W	1.6W	2.2W	2.2W
INGRESS PROTECTION	IP66	IP66	IP66	IP66	IP66	IP66
POWER SUPPLY OPTIONS	INPUT VOLTAGE: 120V AC (60 Hz) OR 240V AC (50 Hz) MAXIMUM ILLUMINATION LENGTH FOR SINGLE PSU: 50'/15.2m; DUAL PSU: 100'/30.4m MAXIMUM DISTANCE BETWEEN PSU AND FIRST ILLUMINATED SECTION: 50'/15.2m			INPUT VOLTAGE: 120V AC (60 Hz) OR 240V AC (50 Hz) MAXIMUM ILLUMINATION LENGTH FOR SINGLE PSU: 35'/10.7m; DUAL PSU: 70'/21.4m MAXIMUM DISTANCE BETWEEN PSU AND FIRST ILLUMINATED SECTION: 35'/10.7m		
LENGTH OPTIONS (CUSTOM AND STANDARD)	TIR SELLS BOTH STANDARD AND CUSTOM LENGTHS. STANDARD LENGTHS: 24"/0.61m, 60"/1.52m, 120"/3.05m CUSTOM LENGTHS: 24-48"/0.61-1.22m, 48-72"/1.22-1.83m, 72-96"/1.83-2.44m, 96-120"/2.44-3.05m ALL LENGTHS ARE FACTORY SEALED BY TIR PRIOR TO SHIPPING					
REGULATORY APPROVALS	cULus, CE					

* Color Temperature

For complete specification information, please refer to the product page at www.tirsys.com.

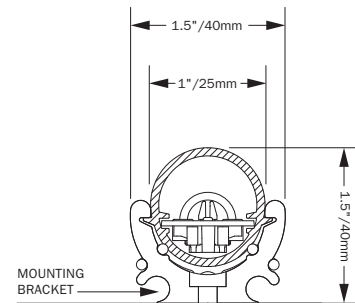
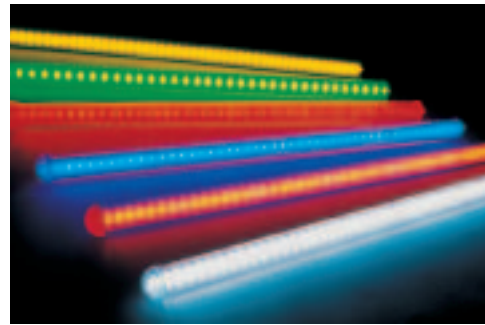


ORDERING CODES

RED		YELLOW		BLUE	
24"/600mm	CT-FS-24-RED	24"/600mm	CT-FS-24-AMB	24"/600mm	CT-FS-24-BLU
60"/1500mm	CT-FS-60-RED	60"/1500mm	CT-FS-60-AMB	60"/1500mm	CT-FS-60-BLU
120"/3000mm	CT-FS-120-RED	120"/3000mm	CT-FS-120-AMB	120"/3000mm	CT-FS-120-BLU
CUSTOM SIZE	CT-FSCL-<SIZE>-RED	CUSTOM SIZE	CT-FSCL-<SIZE>-AMB	CUSTOM SIZE	CT-FSCL-<SIZE>-BLU
ORANGE		GREEN		WHITE	
24"/600mm	CT-FS-24-ORG	24"/600mm	CT-FS-24-GRN	24"/600mm	CT-FS-24-WHT
60"/1500mm	CT-FS-60-ORG	60"/1500mm	CT-FS-60-GRN	60"/1500mm	CT-FS-60-WHT
120"/3000mm	CT-FS-120-ORG	120"/3000mm	CT-FS-120-GRN	120"/3000mm	CT-FS-120-WHT
CUSTOM SIZE	CT-FSCL-<SIZE>-ORG	CUSTOM SIZE	CT-FSCL-<SIZE>-GRN	CUSTOM SIZE	CT-FSCL-<SIZE>-WHT

ColorTrace

Clear Extrusion



Colorful striking linear effects

	RED	ORANGE	YELLOW	GREEN	BLUE	WHITE
LED WAVE LENGTH	627nm	605nm	590nm	525nm	470 ± 5nm	6700K
NUMBER OF LEDS PER 12"/300mm	24	24	24	18	24	24
USEFUL LED LIFE	10 YEARS AT 12 HRS/DAY	10 YEARS AT 12 HRS/DAY	10 YEARS AT 12 HRS/DAY	10 YEARS AT 12 HRS/DAY	5 YEARS AT 12 HRS/DAY	5 YEARS AT 12 HRS/DAY
MAXIMUM POWER CONSUMPTION	1.6W PER 12"/300mm	1.6W PER 12"/300mm	1.6W PER 12"/300mm	1.6W PER 12"/300mm	2.2W PER 12"/300mm	2.2W PER 12"/300mm
INGRESS PROTECTION	IP66	IP66	IP66	IP66	IP66	IP66
POWER SUPPLY OPTIONS	INPUT VOLTAGE: 120V AC (60 Hz) OR 240V AC (50 Hz) MAXIMUM ILLUMINATION LENGTH FOR SINGLE PSU: 50'/15.2m; DUAL PSU: 100'/30.4m MAXIMUM DISTANCE BETWEEN PSU AND FIRST ILLUMINATED SECTION: 50'/15.2m			INPUT VOLTAGE: 120V AC (60 Hz) OR 240V AC (50 Hz) MAXIMUM ILLUMINATION LENGTH FOR SINGLE PSU: 35'/10.7m; DUAL PSU: 70'/21.4m MAXIMUM DISTANCE BETWEEN PSU AND FIRST ILLUMINATED SECTION: 35'/10.7m		
LENGTH OPTIONS (CUSTOM AND STANDARD)	TIR SELLS BOTH STANDARD AND CUSTOM LENGTHS. STANDARD LENGTHS: 24"/0.61m, 60"/1.52m, 120"/3.05m CUSTOM LENGTHS: 24-48"/0.61-1.22m, 48-72"/1.22-1.83m, 72-96"/1.83-2.44m, 96-120"/2.44-3.05m ALL LENGTHS ARE FACTORY SEALED BY TIR PRIOR TO SHIPPING					
REGULATORY APPROVALS	cULus, CE					

* Color Temperature

For complete specification information, please refer to the product page at www.tirsys.com.



ORDERING CODES

RED		YELLOW		BLUE	
24"/600mm	CT-FS-24-RED-CLR	24"/600mm	CT-FS-24-AMB-CLR	24"/600mm	CT-FS-24-BLU-CLR
60"/1500mm	CT-FS-60-RED-CLR	60"/1500mm	CT-FS-60-AMB-CLR	60"/1500mm	CT-FS-60-BLU-CLR
120"/3000mm	CT-FS-120-RED-CLR	120"/3000mm	CT-FS-120-AMB-CLR	120"/3000mm	CT-FS-120-BLU-CLR
CUSTOM SIZE	CT-FSCL-<SIZE>-RED-CLR	CUSTOM SIZE	CT-FSCL-<SIZE>-AMB-CLR	CUSTOM SIZE	CT-FSCL-<SIZE>-BLU-CLR
ORANGE		GREEN		WHITE	
24"/600mm	CT-FS-24-ORG-CLR	24"/600mm	CT-FS-24-GRN-CLR	24"/600mm	CT-FS-24-WHT-CLR
60"/1500mm	CT-FS-60-ORG-CLR	60"/1500mm	CT-FS-60-GRN-CLR	60"/1500mm	CT-FS-60-WHT-CLR
120"/3000mm	CT-FS-120-ORG-CLR	120"/3000mm	CT-FS-120-GRN-CLR	120"/3000mm	CT-FS-120-WHT-CLR
CUSTOM SIZE	CT-FSCL-<SIZE>-ORG-CLR	CUSTOM SIZE	CT-FSCL-<SIZE>-GRN-CLR	CUSTOM SIZE	CT-FSCL-<SIZE>-WHT-CLR



**ColorTrace
Features and Benefits**

ColorTrace offers a number of benefits thanks to the use of LEDs as the light source.

ENERGY SAVINGS

When compared to neon, ColorTrace achieves an average energy saving of up to 90%. Payback on a ColorTrace system can average 24 months or less.

SUSTAINABILITY

ColorTrace contains no hazardous materials and lowers energy consumption, which reduces greenhouse gas emissions.

LONG LIFE

ColorTrace has a potential useful life of up to ten years or more.

VIRTUALLY NO MAINTENANCE

With a robust housing and long-life LEDs, ColorTrace is a highly reliable product, requiring little, if any, maintenance in its lifetime.

SAFETY

ColorTrace is safe and cool to the touch due to the combination of non-flammable housing material and safe 24 Volt operation.

WEATHER RESISTANCE

ColorTrace is factory sealed for superior cold weather operation to consistently perform between -22°F/-30°C to 140°F/60°C.

EASY TO INSTALL

ColorTrace can be installed by any qualified electrician.

**Color Management
for Solid State Lighting**

The LED manufacturing process is complex, which means there are variations in the color output of individual LEDs. To improve process yields, LED manufacturers “bin” their products, grouping each LED within a range of dominant wavelengths for colored LEDs or chromaticity coordinates in degrees Kelvin for white-light LEDs. The goal is to provide consistent and predictable color within the bins.

The challenge for Solid State Lighting manufacturers is to ensure that their products also provide consistent and predictable color – a Quality Assurance process. TIR Systems has developed its own procedures to ensure consistent product quality.

CREDITS

PAGE	PROJECT NAME	SPECIFIER	PHOTOGRAPHER
1, 8	EXPERIENCE MUSIC PROJECT, SEATTLE, USA	CANDELA LIGHTING DESIGN & CONSULTING	NIC LEHOUX
2-3	WASHINGTON STATE CONVENTION CENTRE, SEATTLE, USA	CANDELA LIGHTING DESIGN & CONSULTING	PETER TIMMERMANS
4-5	PRESTON STREET ARCH, OTTAWA, CANADA	GABRIEL/DESIGN – ARCHITECTURAL LIGHTING	WM. P. McELLIGOTT
6-7	DALI'S SQUARE, MADRID, SPAIN	GRP ILUMINACION	
	PRODUCT PHOTOGRAPHY		DEREK LEPPER



TIR Systems Ltd.
7700 Riverfront Gate
Burnaby, BC
Canada V5J 5M4

1 800 663 2036
T 604 294 8477
F 604 294 3733
www.tirsys.com

TIR IS A PUBLIC COMPANY LISTED ON THE
TORONTO STOCK EXCHANGE UNDER THE SYMBOL *TIR*